

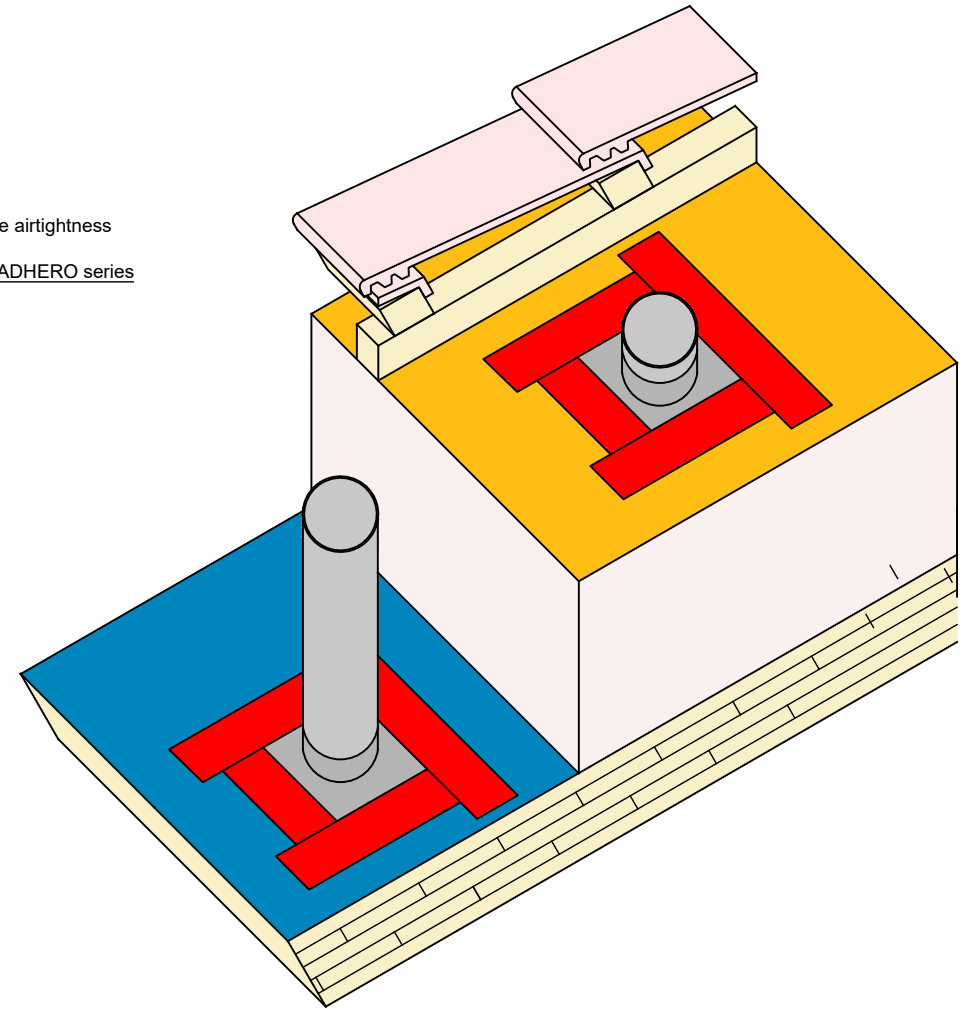
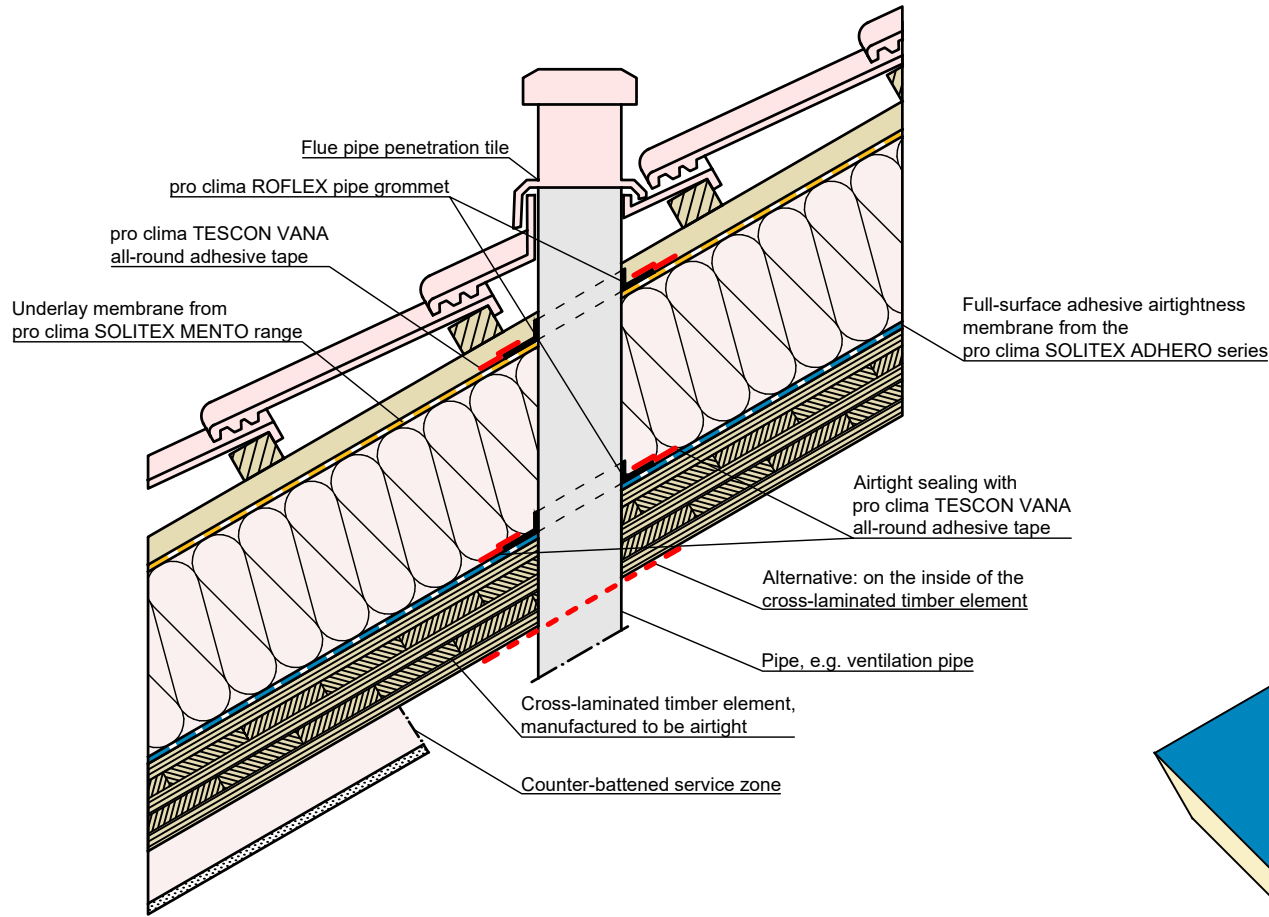
Solid timber construction | Pipe feed-through | Var. 1

Variant 1: Airtight sealing of pipe feed-through with pro clima ROFLEX and TESCON VANA. The cross-laminated timber elements must be manufactured to be airtight.

pro clima ... and the insulation is perfect



Typical structural situation to illustrate the airtightness and windtightness layers. When carrying out planning and performing installation on site, please observe the currently applicable technical regulations and the relevant pro clima recommendations for applications and installation. (German version: 09/21; international version 03/23).

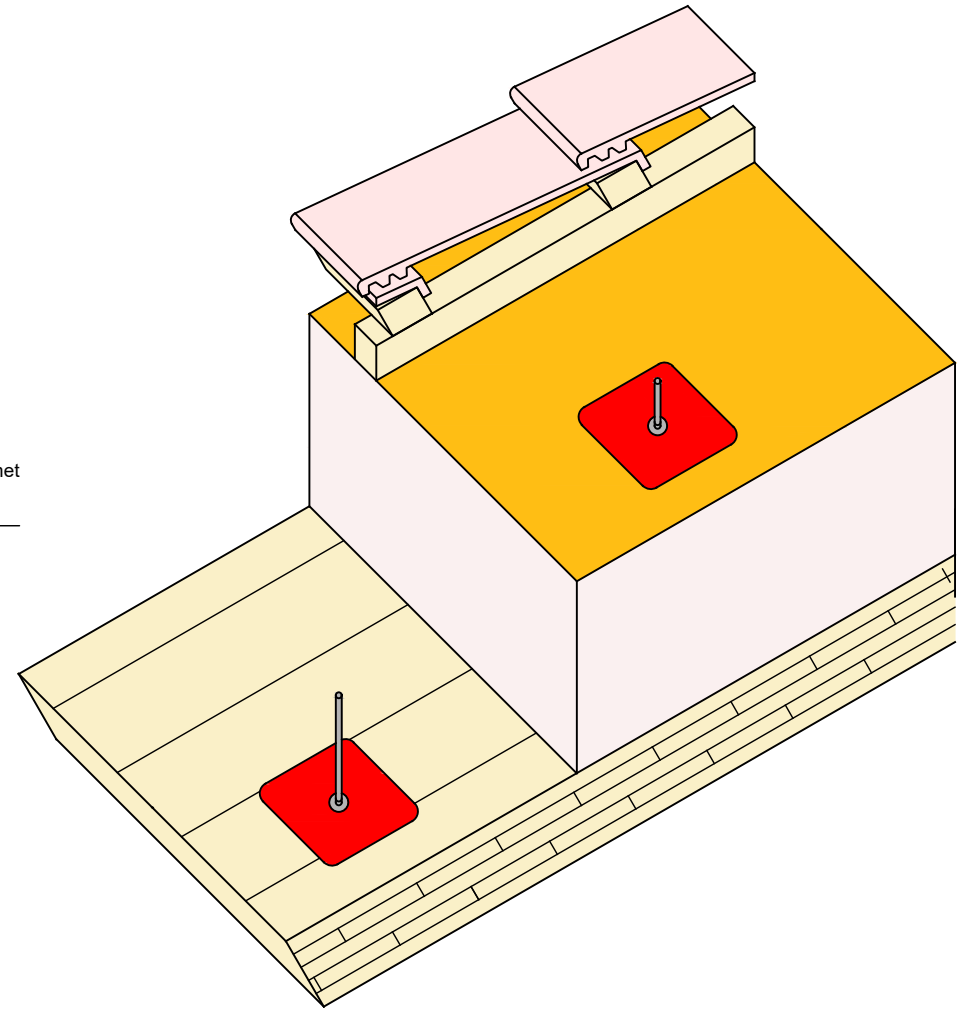
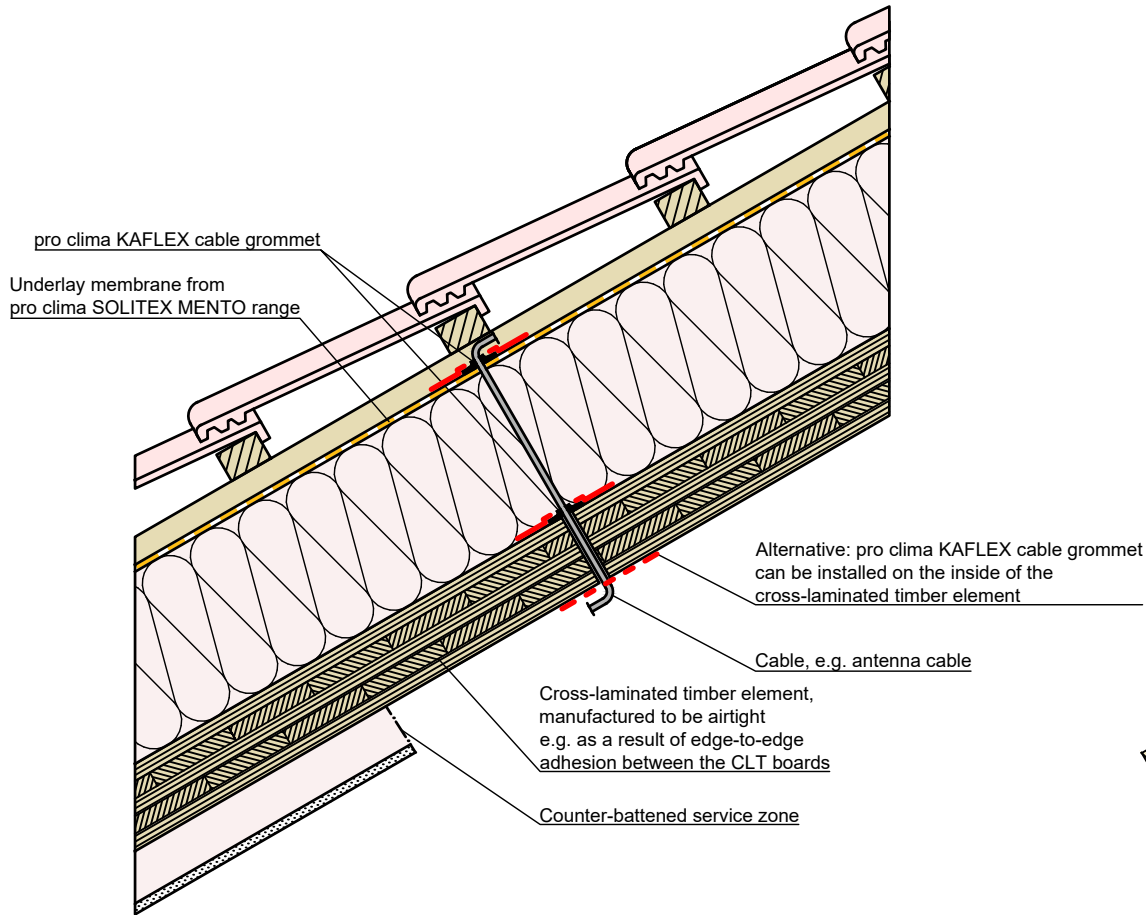


Solid timber construction | Pipe feed-through | Var. 2

Variant 2: Airtight sealing of the building component with pro clima SOLITEX ADHERO. Airtight sealing of pipe feed-through with pro clima ROFLEX and TESCON VANA.

pro clima ... and the insulation is perfect





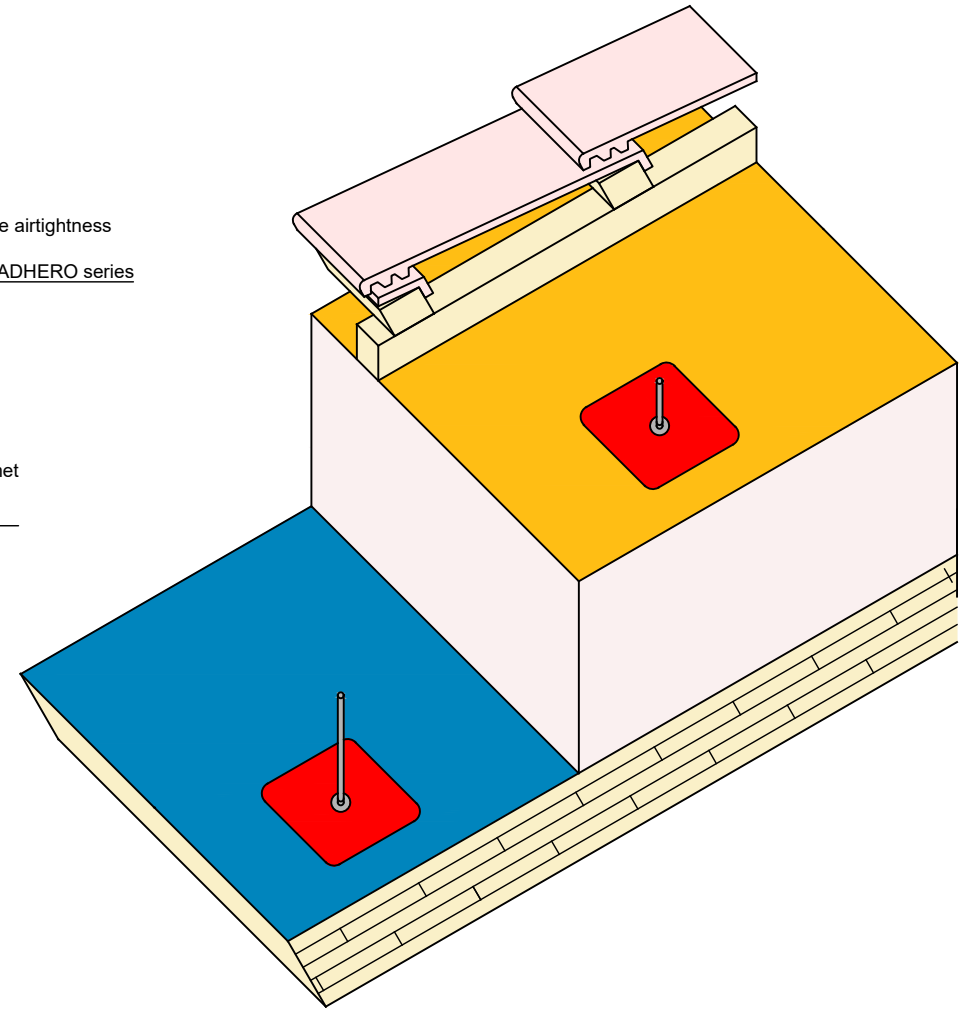
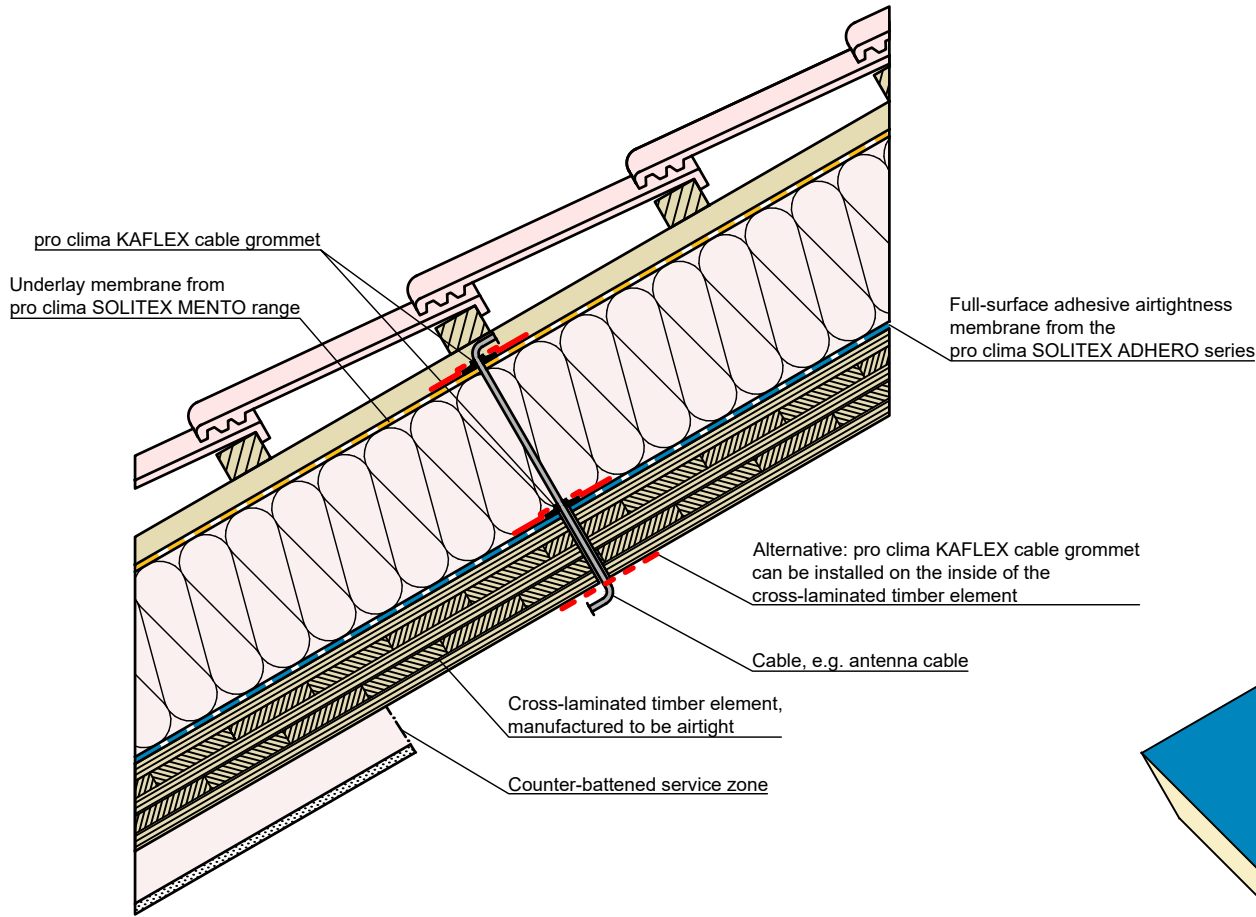
Solid timber construction | Cable feed-through | Var. 1

Variant 1: Airtight cable feed-through with pro clima KAFLEX. The cross-laminated timber elements must be manufactured to be airtight.

Typical structural situation to illustrate the airtightness and windtightness layers. When carrying out planning and performing installation on site, please observe the currently applicable technical regulations and the relevant pro clima recommendations for applications and installation. (German version: 09/21; international version 03/23).

pro clima ... and the insulation is perfect





Solid timber construction | Cable feed-through | Var. 2

Variant 2: Airtight sealing of the building component with pro clima SOLITEX ADHERO. Airtight cable feed-through with pro clima KAFLEX.

pro clima ... and the insulation is perfect



Typical structural situation to illustrate the airtightness and windtightness layers. When carrying out planning and performing installation on site, please observe the currently applicable technical regulations and the relevant pro clima recommendations for applications and installation. (German version: 09/21; international version 03/23).